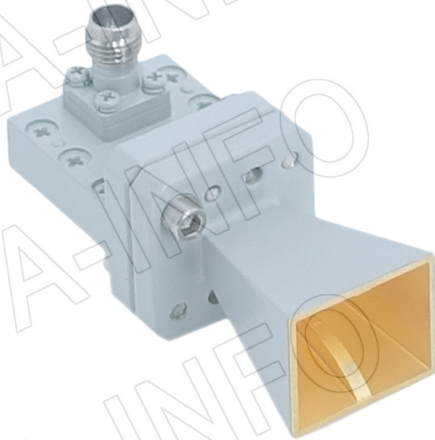


For reference only. See data sheet for the detailed specifications.

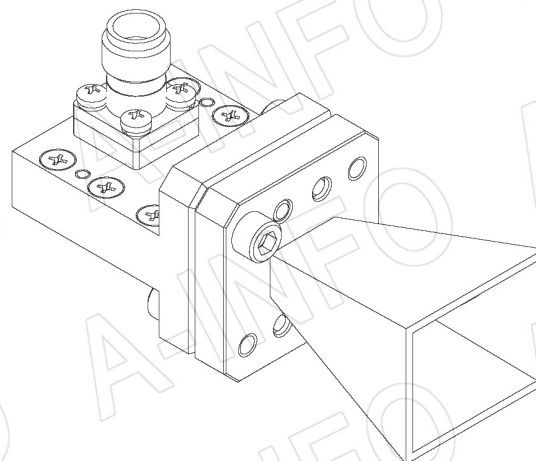
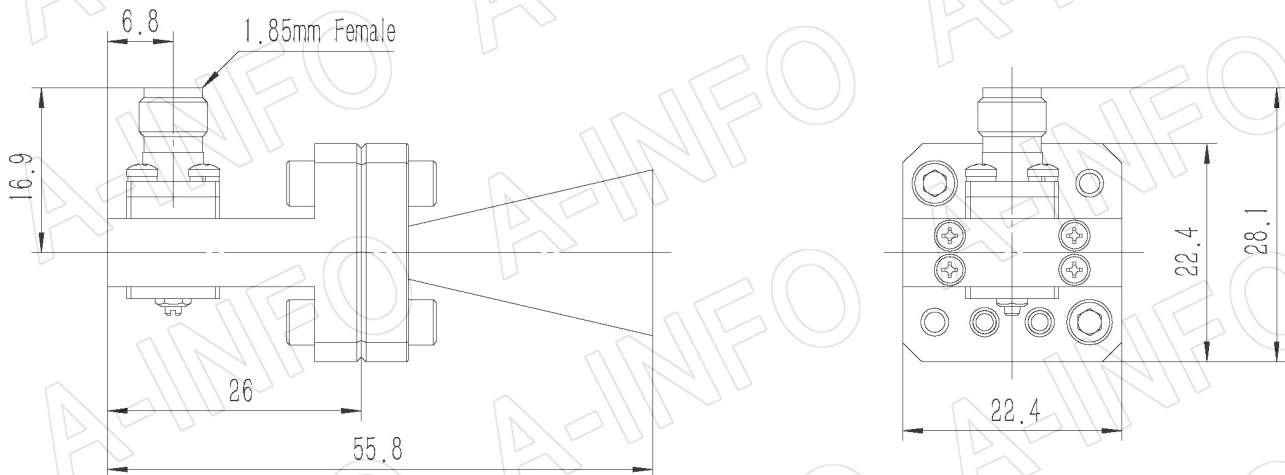
Technical Specification



Frequency Range(GHz)	18.0 – 55.0
Gain(dBi)	10 Typ.
Polarization	Linear
3dB Beamwidth(deg)	E Plane: 58 - 24
	H Plane: 60 - 21
Cross Pol. Isolation(dB)	40 Typ.
VSWR	1.50:1 Typ.
Connector	1.85mm-Female
Power Handling(W CW)	5 Max.
Material	Cu
Finish	Gold Plated, Gary Paint
Size(mm)	22.4 x 28.1 x 55.8
Net Weight(Kg)	0.08 Around

Outline Drawing (Size: mm)

1.85mm-Female Output (P/N: LB-180550-10-C-1.85F)



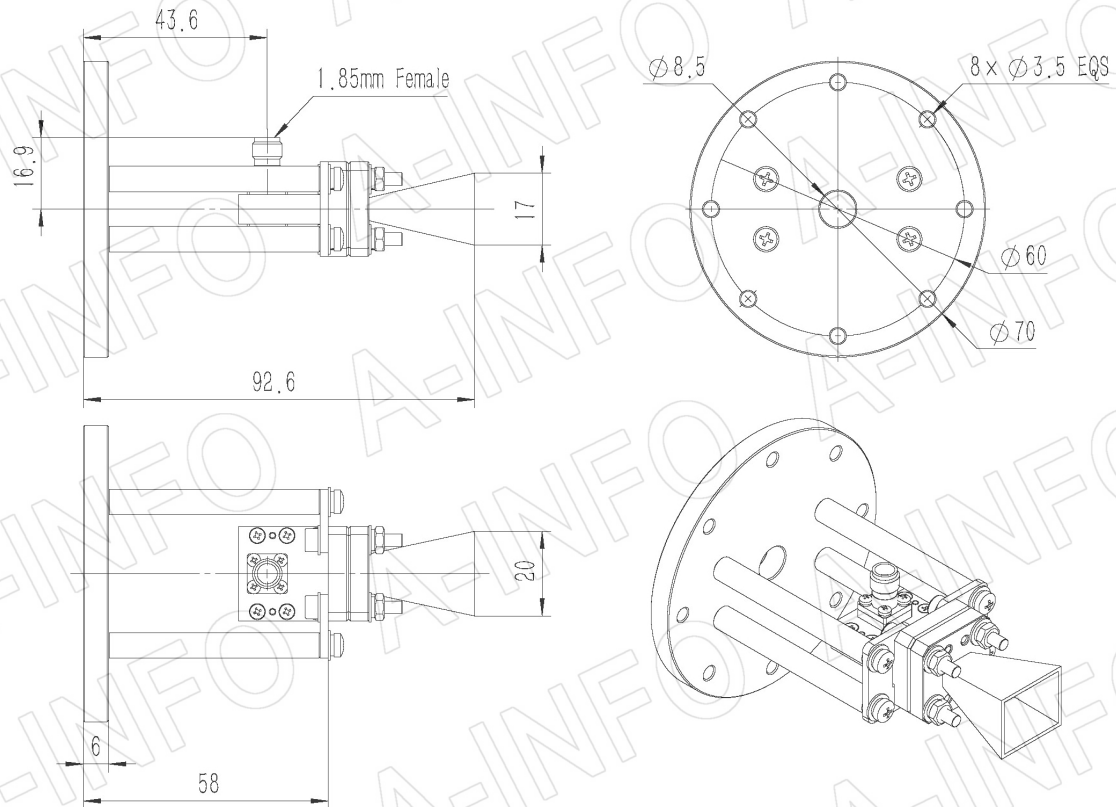
AINFO Inc.

China(Beijing): Tel: (+86) 10-6266-7326,
 China(Chengdu): Tel: (+86) 28-8519-2786,
 USA : Tel: (+1) 949-639-9688,

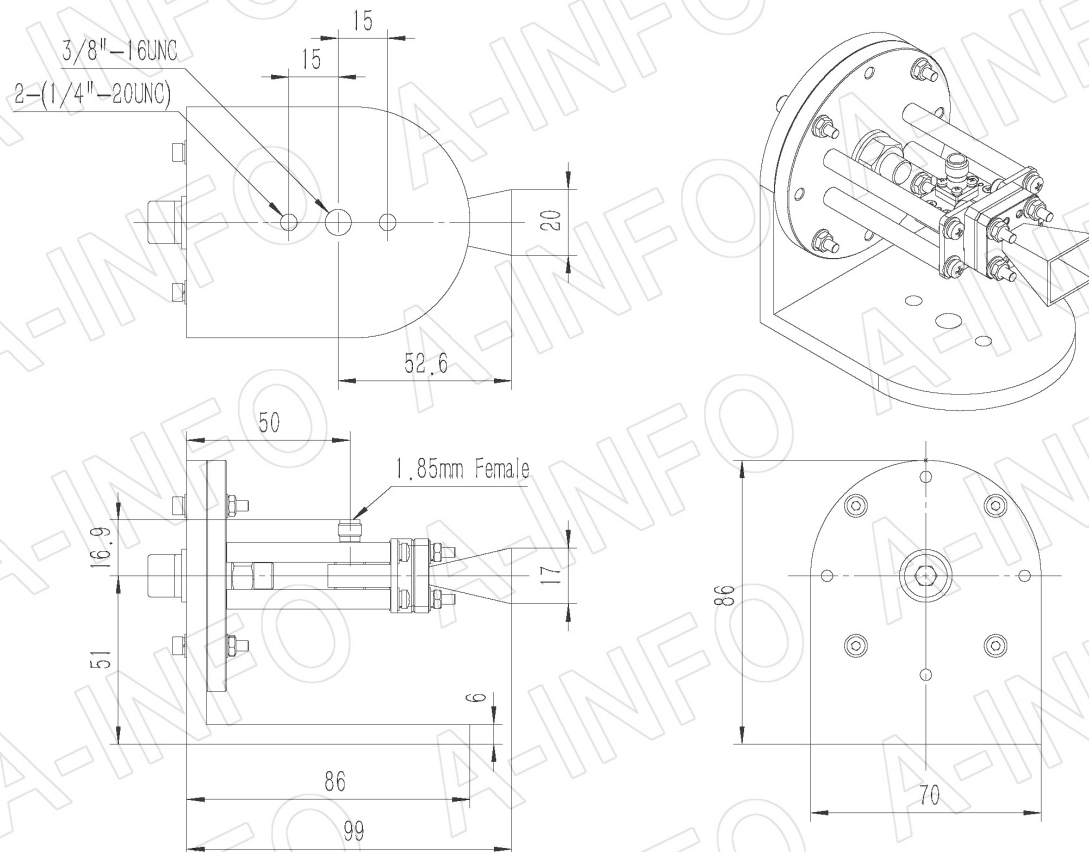
Page 1 of 19
 (+86) 10-6266-7327 Fax: (+86) 10-6266-7379
 (+86) 28-8519-3044 Fax: (+86) 28-8519-3068
 (+1) 949-639-9608 Fax: (+1) 949-639-9670

Website: www.ainfoinc.com
 Email: sales@ainfoinc.com

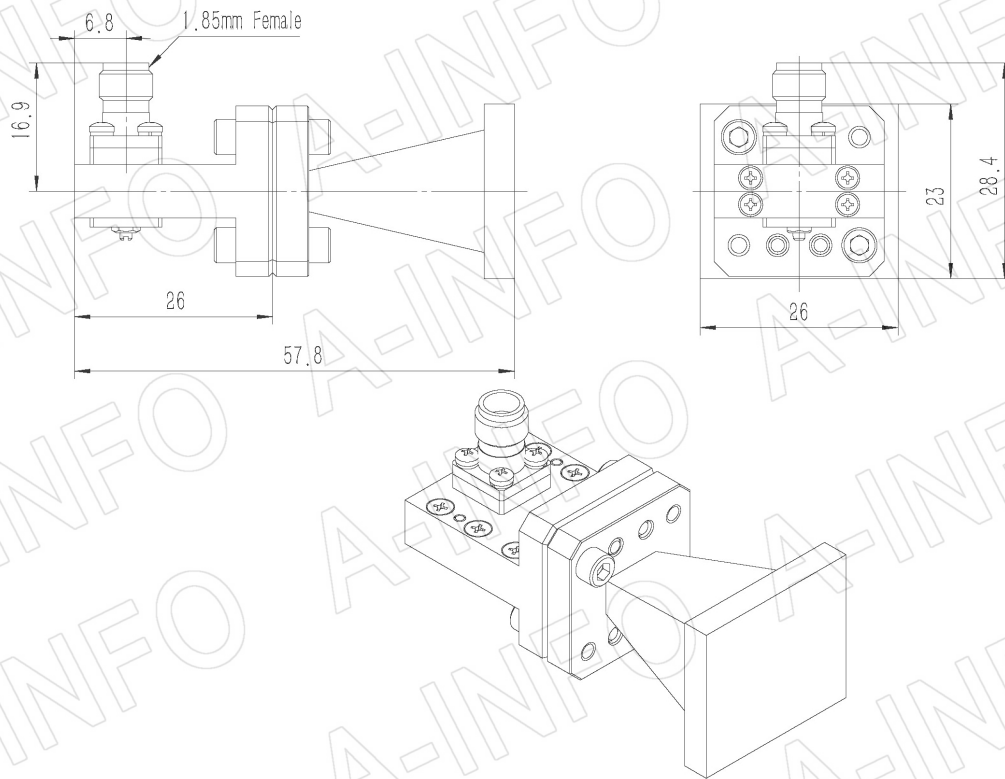
1.85mm-Female Output with Round Mounting Bracket (Option, P/N: LB-180400-10-C-MB)



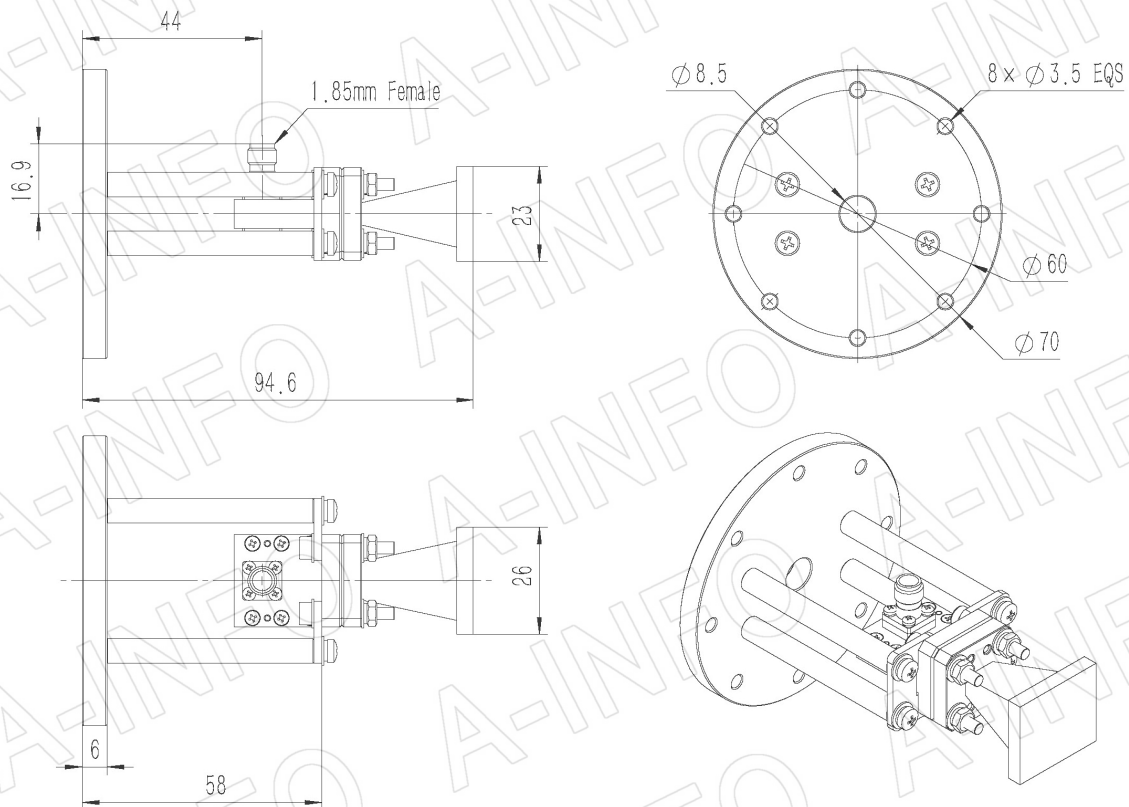
1.85mm-Female Output with L Type Mounting Bracket (Option, P/N: LB-180400-10-C-MBL)



1.85mm-Female Output with Radome (Option, P/N: LB-180550-10-C-1.85FSPO, Outdoor Application)

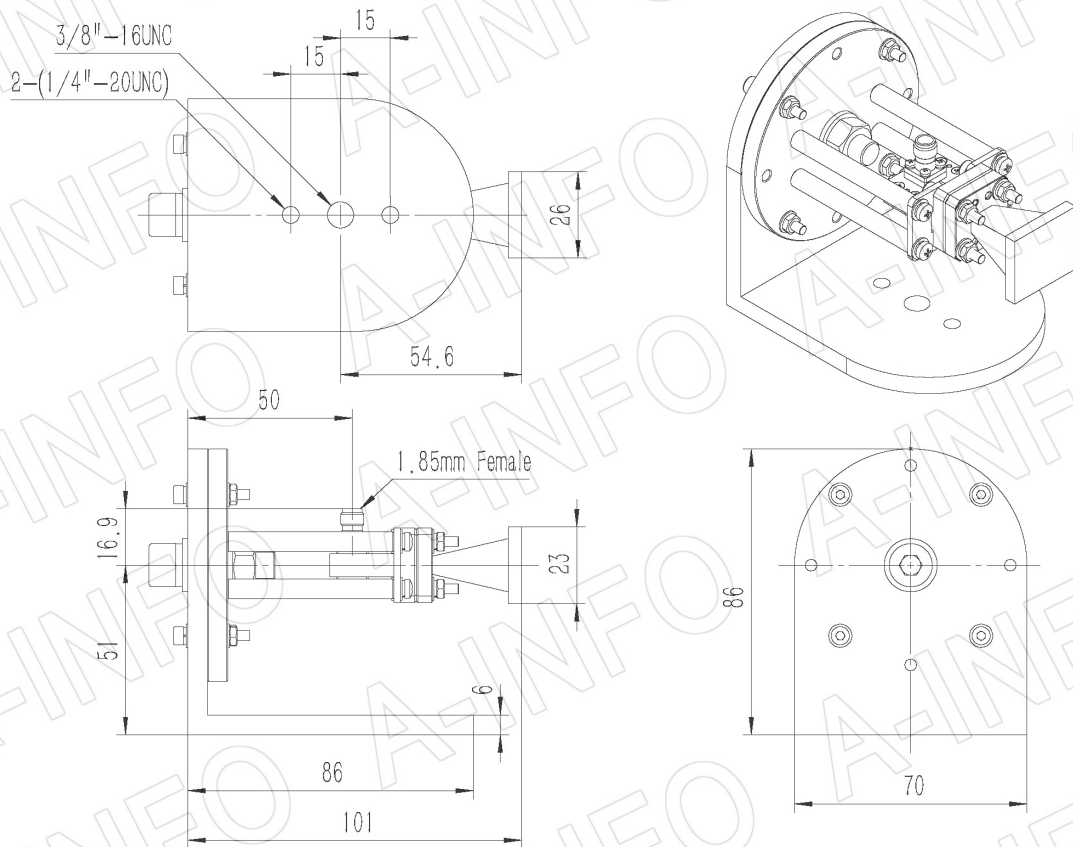


1.85mm-Female Output with Round Mounting Bracket & Radome (Option, P/N: LB-180400-10-C-MB & LB-180550-10-C-1.85FSPO, Outdoor Application)



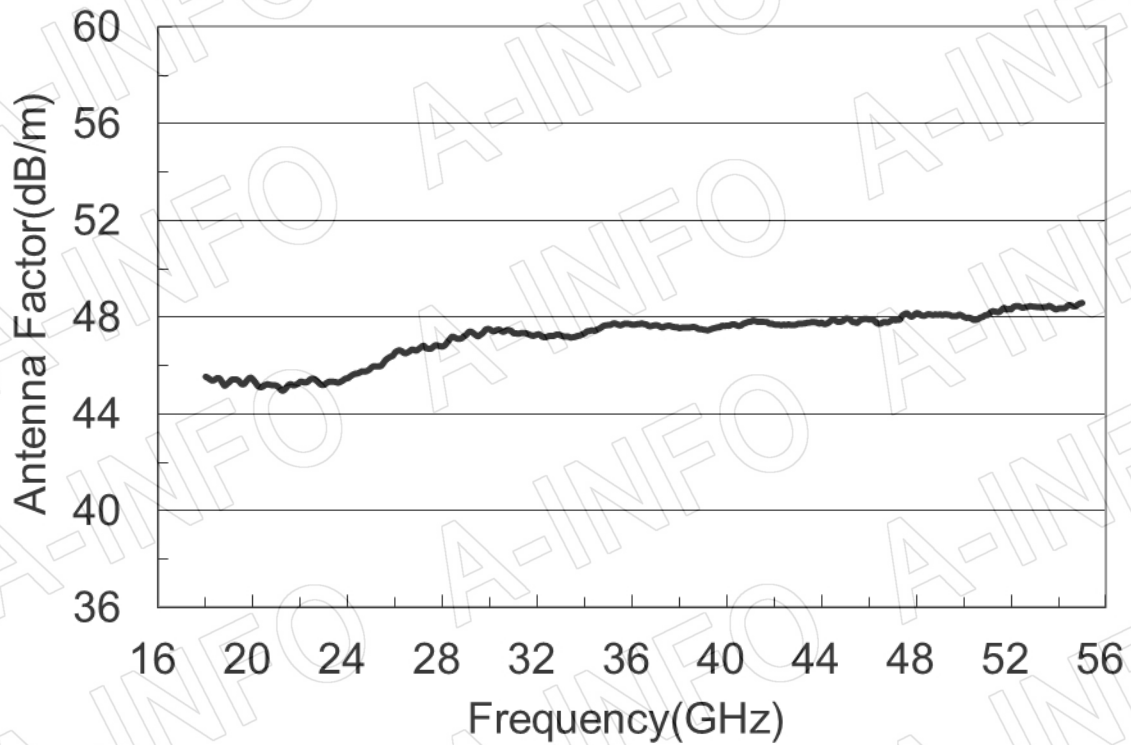
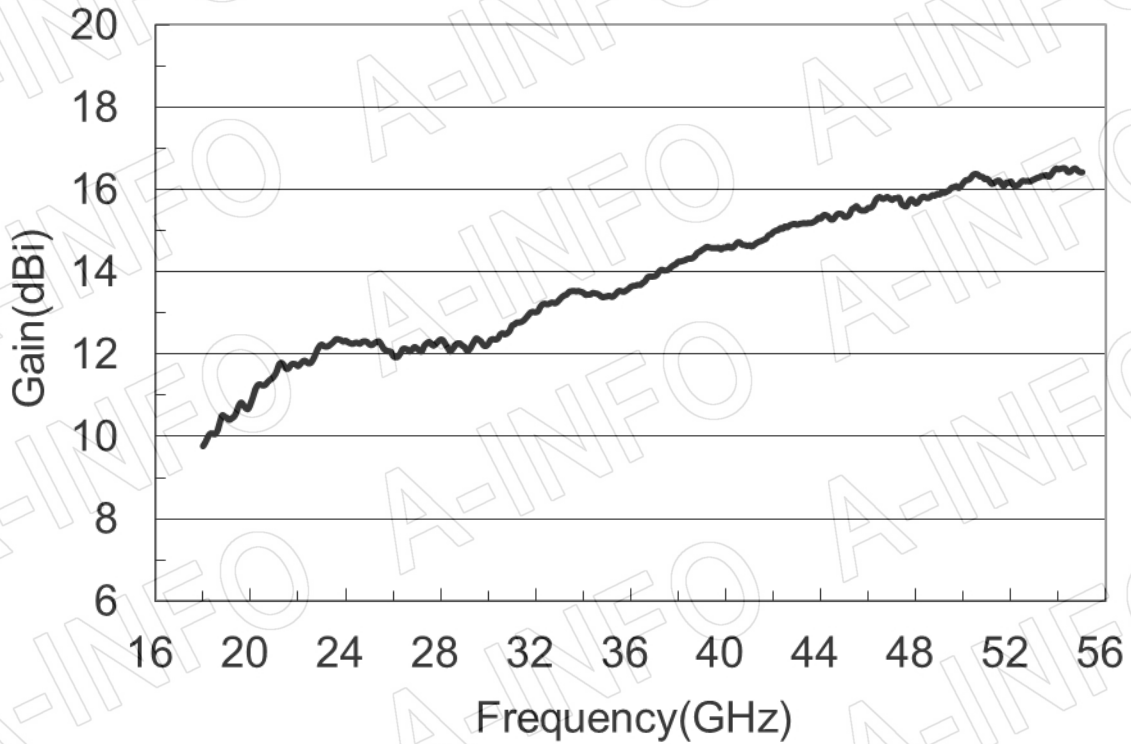
1.85mm-Female Output with L Type Mounting Bracket & Radome (Option, P/N: LB-180400-10-C-MBL & LB-180550-10-C-1.85FSPO, Outdoor Application)

For 2.4mm-Female output outline drawing, please contact A-INFO.

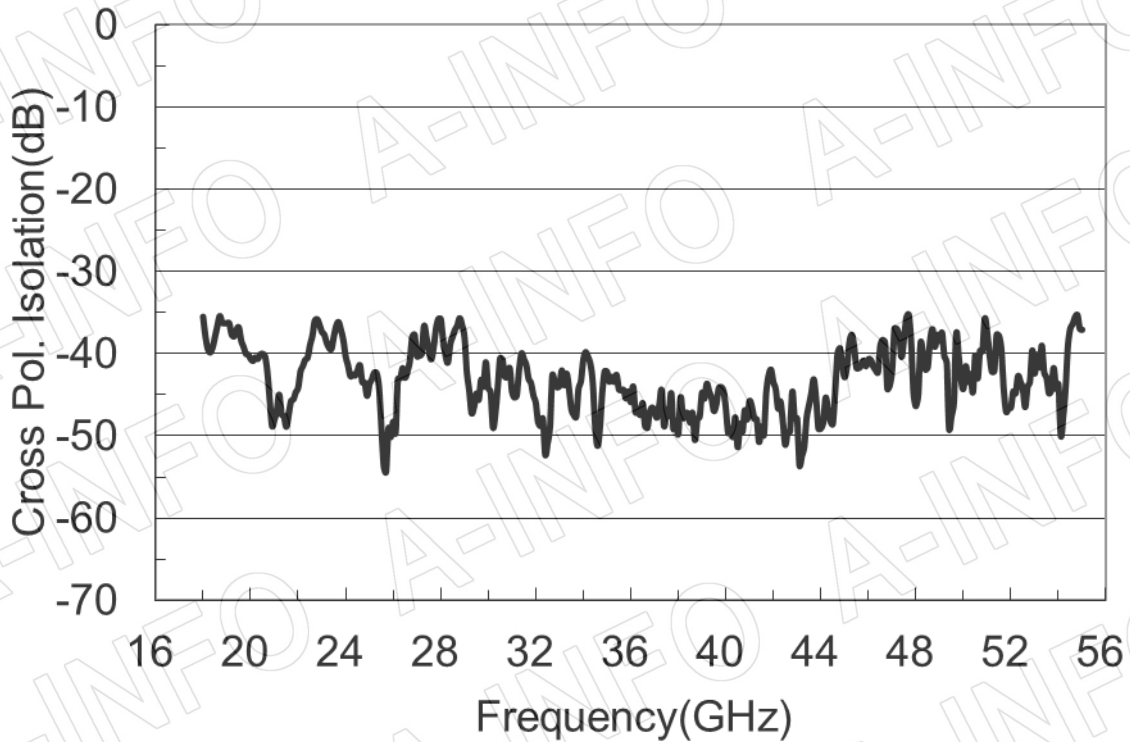


Test Results

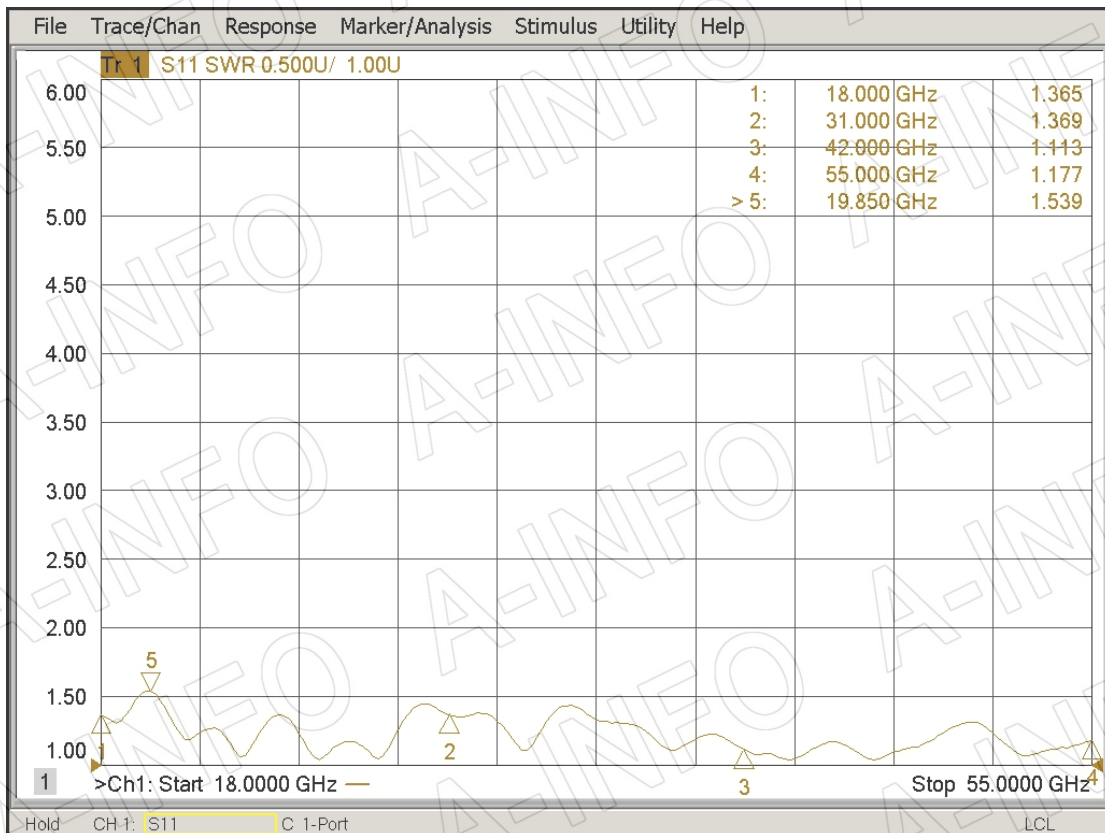
1. Gain & Antenna Factor



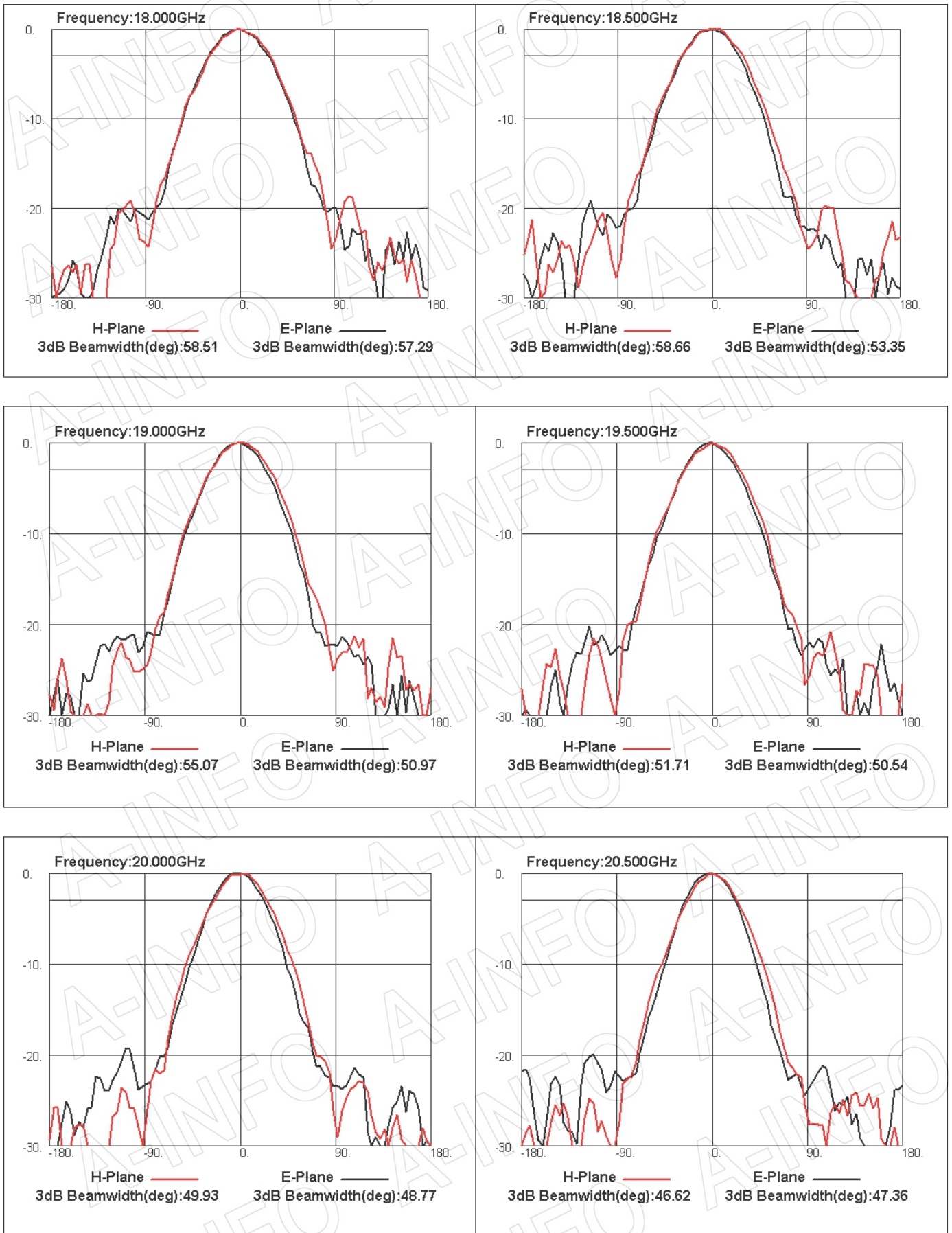
2. Cross Polarization Isolation



3. VSWR



4. Pattern



AINFO Inc.

China(Beijing): Tel: (+86) 10-6266-7326,
China(Chengdu): Tel: (+86) 28-8519-2786,
USA : Tel: (+1) 949-639-9688,

Page 7 of 19

(+86) 10-6266-7327
(+86) 28-8519-3044
(+1) 949-639-9608

Fax: (+86) 10-6266-7379
Fax: (+86) 28-8519-3068
Fax: (+1) 949-639-9670

Website: www.ainfoinc.com
Email: sales@ainfoinc.com

